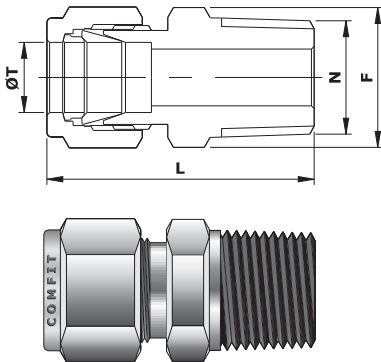
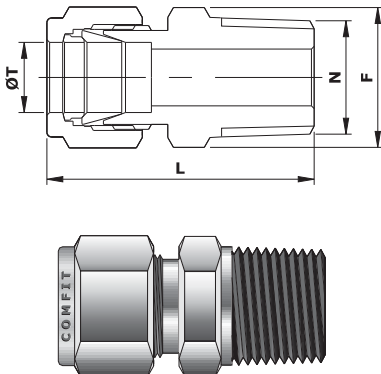


## MALE CONNECTOR.....FT X NPT (M)



COMFIT PRODUCT CODE	TUBE OD (ØT)	NPT Male Pipe Size (N)	LENGTH (L)	HEX (F)
	(Inches)			
2-CMCD-1N	1/8	1/16	1.17	7/16
2-CMCD-2N	1/8	1/8	1.20	7/16
2-CMCD-4N	1/8	1/4	1.40	9/16
2-CMCD-6N	1/8	3/8	1.41	11/16
2-CMCD-8N	1/8	1/2	1.66	7/8
4-CMCD-1N	1/4	1/16	1.29	9/16
4-CMCD-2N	1/4	1/8	1.29	9/16
4-CMCD-4N	1/4	1/4	1.49	9/16
4-CMCD-6N	1/4	3/8	1.51	11/16
4-CMCD-8N	1/4	1/2	1.76	7/8
4-CMCD-12N	1/4	3/4	1.82	1-1/16
5-CMCD-2N	5/16	1/8	1.34	9/16
5-CMCD-4N	5/16	1/4	1.52	9/16
5-CMCD-6N	5/16	3/8	1.54	11/16
5-CMCD-8N	5/16	1/2	1.79	7/8
6-CMCD-2N	3/8	1/8	1.39	5/8
6-CMCD-4N	3/8	1/4	1.57	5/8
6-CMCD-6N	3/8	3/8	1.57	11/16
6-CMCD-8N	3/8	1/2	1.82	7/8
6-CMCD-12N	3/8	3/4	1.88	1-1/16
8-CMCD-2N	1/2	1/8	1.53	7/8
8-CMCD-4N	1/2	1/4	1.71	7/8
8-CMCD-6N	1/2	3/8	1.71	7/8
8-CMCD-8N	1/2	1/2	1.93	7/8
8-CMCD-12N	1/2	3/4	1.99	1-1/16
8-CMCD-16N	1/2	1	2.25	1-3/8
10-CMCD-12N	5/8	3/4	1.99	1-1/16
12-CMCD-8N	3/4	1/2	1.99	1-1/16
12-CMCD-12N	3/4	3/4	1.99	1-1/16
12-CMCD-16N	3/4	1	2.25	1-3/8
16-CMCD-8N	1	1/2	2.26	1-3/8
16-CMCD-12N	1	3/4	2.26	1-3/8
16-CMCD-16N	1	1	2.45	1-3/8

## MALE CONNECTOR\_\_MT X NPT(M)



COMFIT PRODUCT CODE	TUBE OD (ØT)	NPT Male Pipe Size (N)	LENGTH (L)	HEX (F)
	(Inches)			
3M-CMCD-2N	3	1/8	29.7	11
3M-CMCD-4N	3	1/4	35.6	14
4M-CMCD-2N	4	1/8	31.2	11
4M-CMCD-4N	4	1/4	36.3	14
6M-CMCD-2N	6	1/8	32.8	14
6M-CMCD-4N	6	1/4	37.9	14
6M-CMCD-6N	6	3/8	38.4	17.4
6M-CMCD-8N	6	1/2	44.7	22
8M-CMCD-2N	8	1/8	34.2	16
8M-CMCD-4N	8	1/4	38.7	16
8M-CMCD-6N	8	3/8	39.3	17.4
8M-CMCD-8N	8	1/2	45.6	22
10M-CMCD-2N	10	1/8	36.3	19
10M-CMCD-4N	10	1/4	40.9	19
10M-CMCD-6N	10	3/8	40.9	19
10M-CMCD-8N	10	1/2	46.5	22
10M-CMCD-12N	10	3/4	48.0	27
10M-CMCD-16N	10	1	55.0	35
12M-CMCD-2N	12	1/8	38.8	22
12M-CMCD-4N	12	1/4	43.4	22
12M-CMCD-6N	12	3/8	43.4	22
12M-CMCD-8N	12	1/2	49.0	22
12M-CMCD-12N	12	3/4	50.5	27
15M-CMCD-6N	15	1/2	49.0	25
16M-CMCD-6N	16	3/8	44.1	25
16M-CMCD-8N	16	1/2	49.0	25
16M-CMCD-12N	16	3/4	50.5	27
25M-CMCD-8N	25	1/2	57.5	35
25M-CMCD-12N	25	3/4	57.5	35
25M-CMCD-16N	25	1	62.3	35

DIMENSIONS FOR REFERENCE ONLY, SUBJECT TO CHANGE.